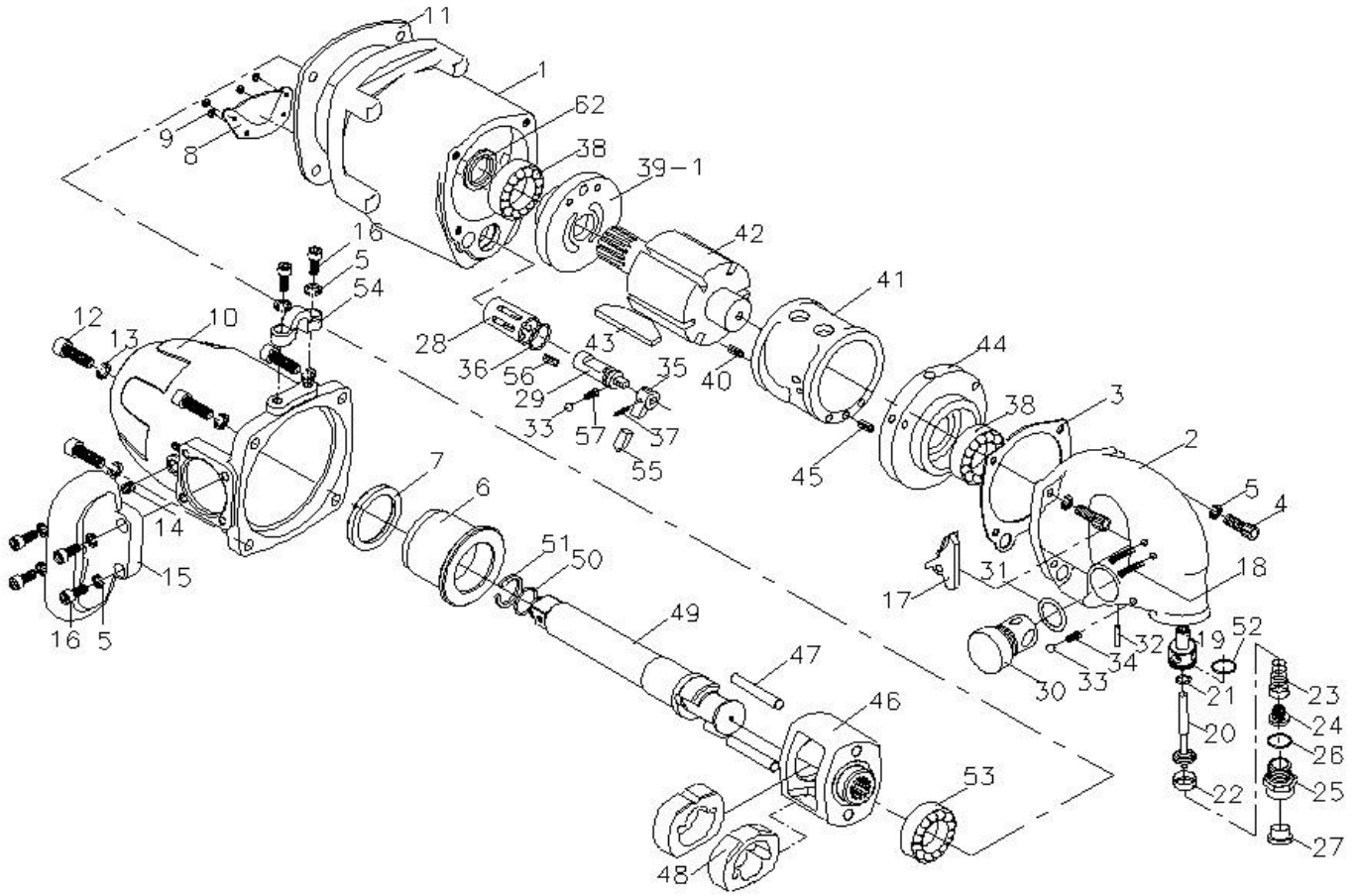


OS-220213L **GAV** HAVALI SOMUN SÖKME



Item No.	Description	Q'ty	Item No.	Description	Q'ty
1	MOTOR HOUSING	1	30	AIR REGULATOR	1
2	END CAP	1	31	O-RING	1
3	END CAP GASKET	1	32	SPRING PIN	1
4	HEX. SOCKET BOLT	4	33	STEEL BALL	2
5	SPRING WASHER	10	34	SPRING PIN	1
6	ANVIL BUSHING	1	35	LEVER REVERSE	1
7	OIL SEAL	1	36	O-RING	1
8	MUFFLE STEEL COVER	1	37	SPRING PIN	1
9	PILIPS PAN SCREW	4	38	BALL BEARING	2
10	CLUTCH HOUSING	1	39-1	FRONT END PLATE	1
11	FRONT GASKET	1	40	SPRING PIN	1
12	HEX. SOCKET BOLT	4	41	CYLINDER	1
13	SPRING WASHER	4	42	ROTOR	1
14	HEX. SOCKET BOLT	1	43	ROTOR BLADE	6
15	HANDLE DEAD	1	44	REAR END PLATE	1
16	HEX. SOCKET BOLT	6	45	SPRING PIN	1
17	TRIGGER	1	46	HAMMER CAGE	1
18	TRIGGER PIN	2	47	HAMMER PIN	2
19	THROTTLE BUSHING	1	48	HAMMER DOG	2
20	TRHOTTLE PIN	1	49	8" ANVIL	1
21	O-RING	1	50	O-RING	1
22	RETAINER	1	51	ANVIL COLLAR	1
23	COMPRESSION SPRING	1	52	O-RING	1
24	SCREEN	1	53	BALL BEARING	1
25	HOSE FITTING	1	54	HANGER	1
26	O-RING	1	55	SHEATH	1
27	DUST COVER	1	56	SPRING PIN	1
28	VALVE SLEEVE	1	57	SPRING	1
29	REVERSE VALVE	1	62	HAMMER CAGE WASHER	1